

COMPACT
CompostTumbler[®]
**Assembly
Instructions**





Dear Friend:

Thank you for purchasing the new Compact ComposTumbler. Properly assembled and operated, your new tumbler can go on giving you rich, healthy compost for years. And that in turn will give you a healthier, more beautiful and productive lawn and garden – naturally.

Your Compact ComposTumbler has been shipped ready to be assembled. All of the parts and pieces you will need are included—all you supply are the proper tools and the labour.

This manual is designed to help you through the step-by-step assembly process and make it an easy and painless operation.

The entire assembly can be completed by just one person, although there are steps that would be easier with a second pair of hands!

You will probably find it easiest to assemble your Compact ComposTumbler on or near the place where you intend to use it. While the completed assembly isn't heavy, it is somewhat bulky and awkward to move.

Work on a smooth surface to prevent scratching the paint on the drum.

Before you start:

Take the time to read this manual completely before you actually start the assembly. That way you can avoid any surprises halfway through the job.

Check the "Tools You Will Need" list below and make sure you have all of them handy. Having the proper tools can make the assembly much faster and easier.

Then, check over the parts included and compare them against the parts list on Pages 3 and 4. Make sure you have and can identify all of the parts for both the Frame and the Tumbler Drum before you start.

David Goss

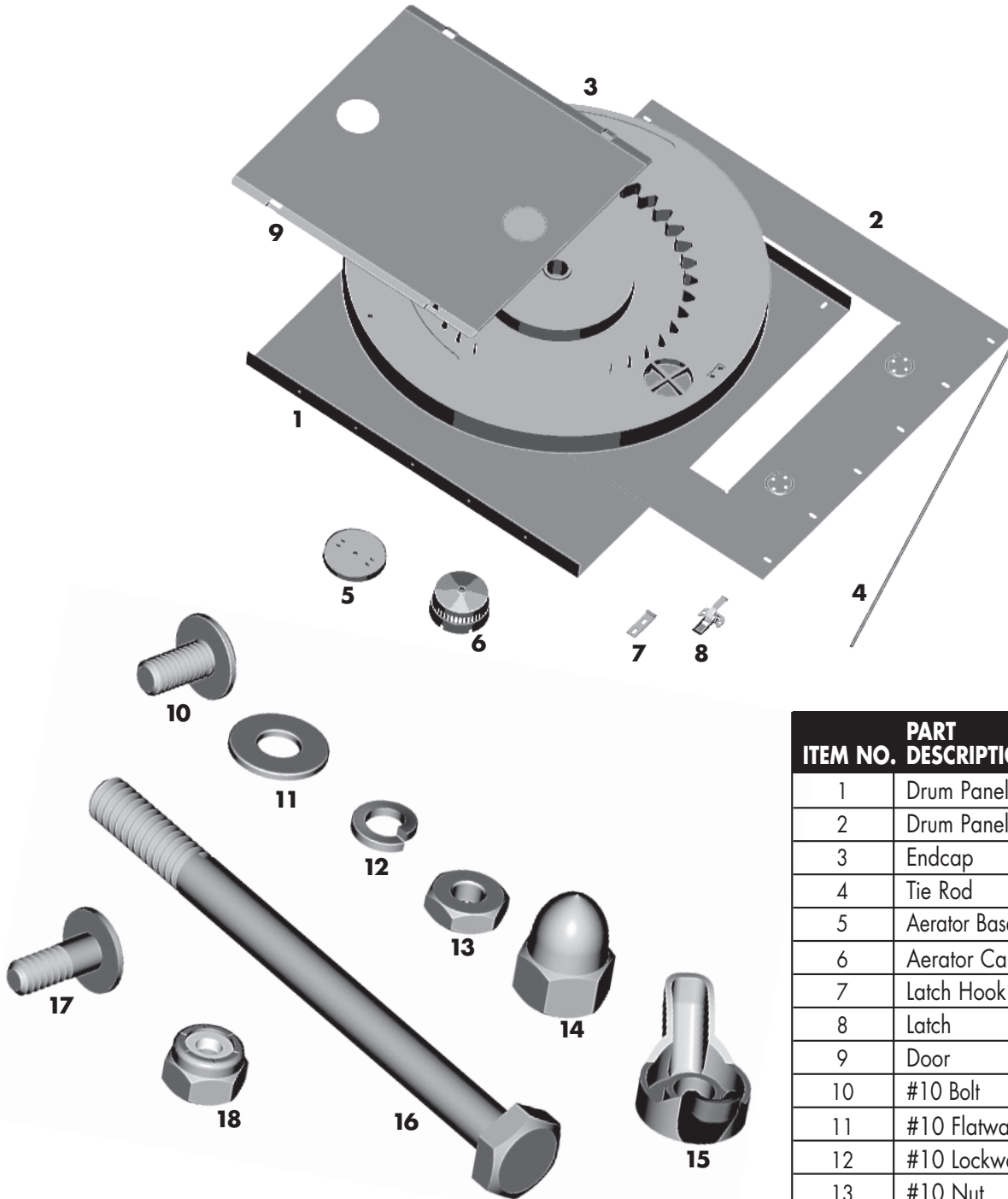
Tools You Will Need

Before you start, assemble the following tools:

- 3/8" spanner
- 7/16" spanner
- Regular pliers
- Adjustable spanner
- Regular screwdriver (flat head)
- Phillips screwdriver (cross head)

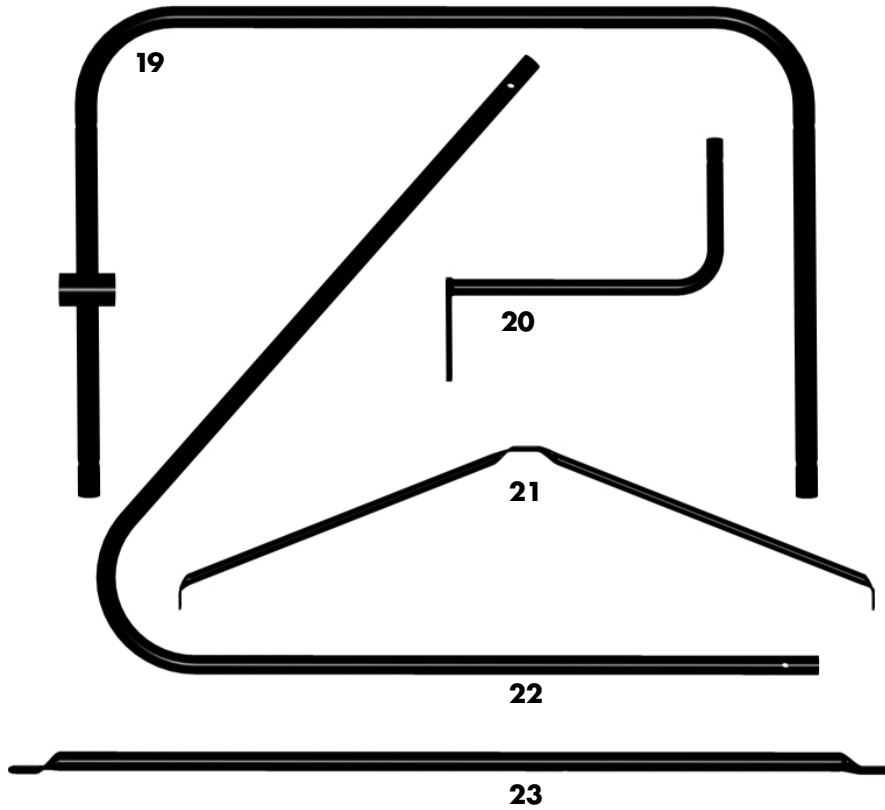
Everything else you will need is included with your Compact ComposTumbler.

Parts For The Tumbler Drum

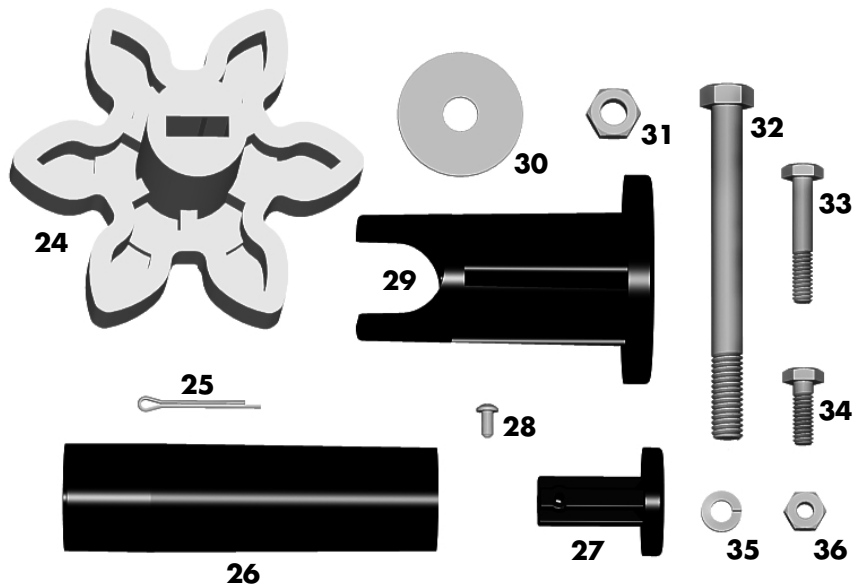


ITEM NO.	PART DESCRIPTION	QUANTITY NEEDED
1	Drum Panel A	2
2	Drum Panel B	1
3	Endcap	2
4	Tie Rod	3
5	Aerator Base	2
6	Aerator Cap	2
7	Latch Hook	2
8	Latch	2
9	Door	1
10	#10 Bolt	13
11	#10 Flatwasher	25
12	#10 Lockwasher	13
13	#10 Nut	13
14	Acorn Nut	6
15	Wing Nut	2
16	Bolt, 1/4" x 3-1/4"	2
17	Shoulder Bolt (gold)	12
18	#10 Locknut	12

Parts For The Frame



ITEM NO.	PART DESCRIPTION	QUANTITY NEEDED
19	Drive Support	1
20	Drive Handle	1
21	Brace	2
22	Frame Leg	2
23	Strut	2
24	Drive Gear	1
25	Cotter Pin	1
26	Grip	1
27	Grip Cap	1
28	#6 Screw	1
29	Stub Axle	2
30	3/8" Fender Washer	2
31	3/8" Locknut	2
32	Bolt, 3/8" x 4"	2
33	Bolt, 1/4" x 1-1/2"	6
34	Bolt, 1/4" x 3/4"	1
35	1/4" Lockwasher	7
36	1/4" Nut	7



STEP 1: Initial Drum Body Assembly

Select:

- 2 Drum Panel A segments (item 1)
- 5 #10 Bolts (silver) (item 10)
- 5 #10 Flatwashers (item 11)
- 5 #10 Lockwashers (item 12)
- 5 #10 Nuts (item 13)

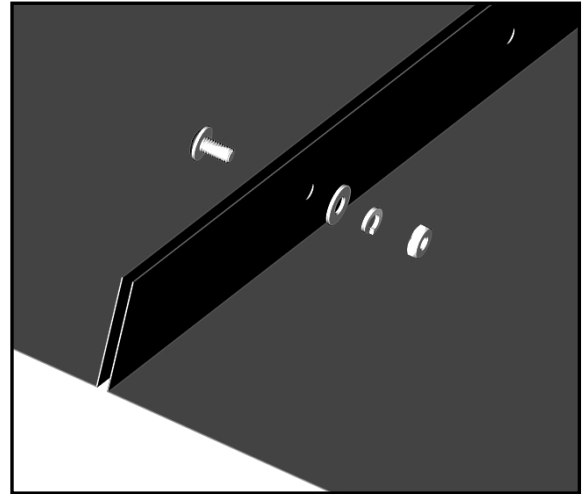
A. Place both Drum Panel A segments on a flat, smooth work surface with the flanged mixing fins facing upright. Align them by matching up the holes in the fins.

B. Fasten the panels together at each of the five holes as follows:

Insert 1 #10 Bolt (silver) through both panels.

Secure with 1 #10 Flatwasher, followed by 1 #10 Lockwasher, and finally 1 #10 Nut. Hand tighten all bolts.

C. Using the slotted screwdriver and 3/8" wrench, tighten all the fasteners.



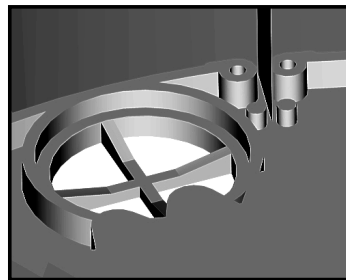
STEP 2: Drum Assembly

Select:

- 1 Endcap (item 3)
- 1 Drum Body Assembly (from step 1)

A. Place the Endcap with the ComposTumbler lettering facing down on the work surface. Note the position of the screen in the Endcap. Carefully pick up the partially assembled drum and fit it into the Endcap. The mixing fins should be inside, with the center fin in the alignment slot near the screen.

B. Insert the edges of the Drum Panels into the rim of the Endcap. (Note: The mixing fins on the ends of the segments will not fit in the alignment slots because the drum panels extend beyond the alignment slots in this section of the drum.) Be sure the Drum Assembly is completely fitted into the Endcap rim all around.



Drum Assembly

STEP 3: Drum Panel B Assembly

Select:

- 1 Drum Panel B Segment
- 12 Shoulder Bolts (gold) (item 17)
- 12 #10 Flatwashers (item 11)
- 12 #10 Lock Nuts (item 18)

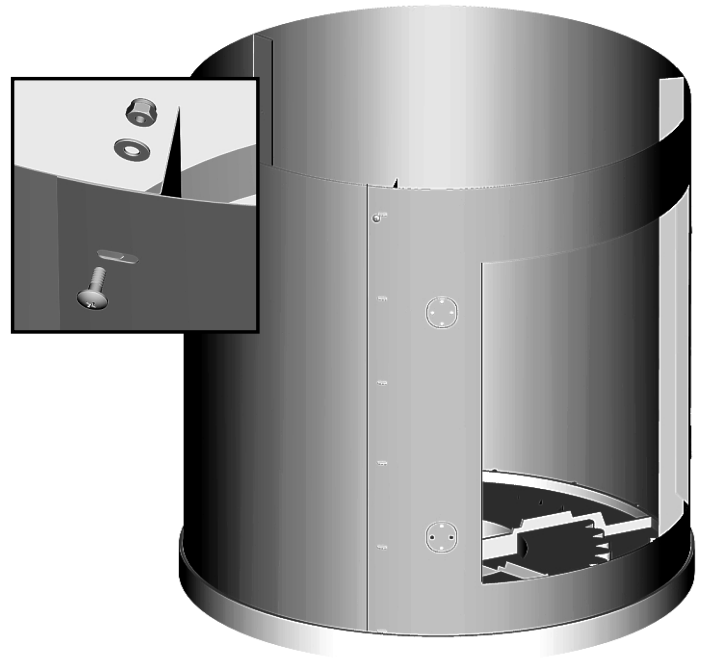
A. Carefully fit Drum Panel B into the last open space of the Endcap to complete the Drum Cylinder, overlapping the adjoining segments and lining up the hole patterns along both sides and into the rim of the Endcap. The flanges on the door opening should fold toward the inside of the drum.

B. Starting from the bottom and working from the outside, fasten Drum Panel B to the other Drum Panels using:

- 1 Shoulder Bolt (gold)
- 1 #10 Flatwasher
- 1 #10 Lock Nut

at each of the six holes on both sides of Drum Panel B. The washers and lock-nuts should be fastened inside the

Drum Body. The slotted holes in these Drum Panels will allow for adjustment to make placement of the second Endcap easier. Use the Phillips (cross) screwdriver and 3/8" wrench to turn the locknuts onto the shoulder bolts until tight. The shoulder bolts should still turn easily after assembly. If they do not, loosen them 1/4 turn.



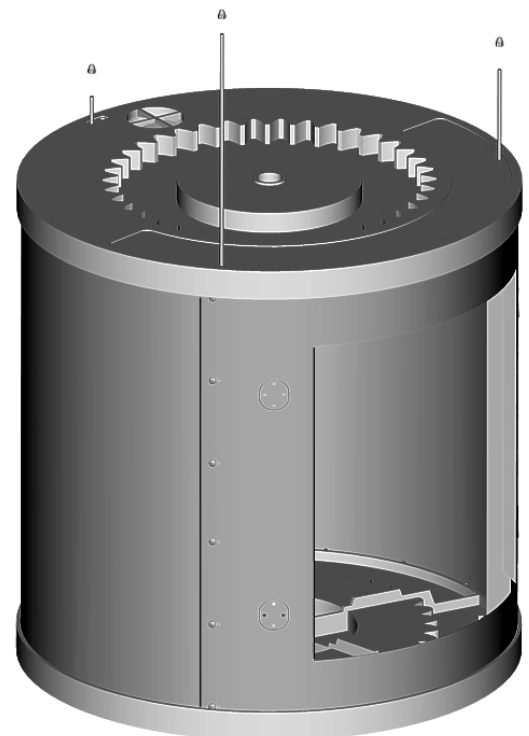
STEP 4: Second Endcap Assembly

Select:

- 1 Endcap (item 3)
- 3 Tie Rods (item 4)
- 6 Acorn Nuts (item 14)

A. Position the second Endcap over the open end of the Drum Assembly, lining up the Endcaps so that the screens are nearly opposite each other. The center mixing fin in the drum fits into the alignment slot near the screen. (Note: The mixing fins on the ends of the segments will not fit in the alignment slots because the drum panels extend beyond the alignment slots in this section of the drum.) Be sure the Drum Assembly is completely fitted into the Endcap rim all around.

B. Thread an acorn nut onto the end of one Tie Rod just until the nut holds (about two turns). Insert the other end of the Tie Rod through one of the small holes near the screen in the top Endcap and run the rod down through the opposite hole in the bottom Endcap. Continued...



Door Assembly

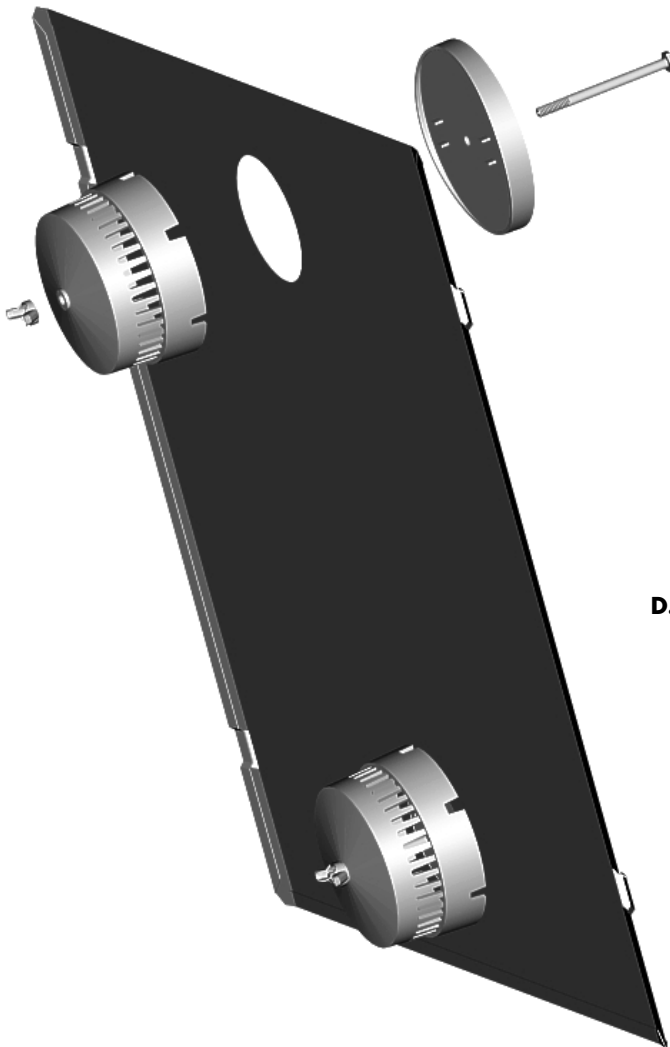
STEP 4 Continued:

- C.** Thread a second acorn nut onto the exposed end of the Tie Rod. If there is not enough exposed thread to start the nut or if the rod will not go all the way through the drum, double check to make sure the drum edges are fitted all the way into the rim of the Endcaps. If there is a problem, loosen the acorn nut on the first end of the tie rod or press firmly on both Endcaps to seat them fully.
- D.** Repeat steps B & C with the remaining tie rods and acorn nuts, connecting the two remaining pairs of holes near the Door Opening. When all three tie rods have been positioned and secured, tighten all acorn nuts using an adjustable wrench at one end and a 7/16" wrench at the other. NOTE: Do not over tighten.

STEP 5: Door Assembly

Select:

- 2 Aerator Bases (item 5)
- 2 Aerator Caps (item 6)
- 2 Bolts, 1/4" x 3-1/4" (item 16)
- 2 Wing Nuts (item 15)
- 1 Door (item 9)



- A.** Position one Aerator Base, with the curved edge and square pins inward, on the outside of the Door.
- B.** Insert one 1/4" x 3-1/4" bolt through the Aerator Base and hole in the Door.
- C.** Slip one Aerator Cap over the Bolt on the inside of the Door, threading a wing nut onto the end of the bolt until hand tight. Be careful not to over tighten the assembly.
- D.** Repeat the above steps with the second Aerator Base and Cap over the second hole in the Door.
- E.** Check both aerators to make sure the curve of the door when it's in place on the drum and the contour of the outer portion of the aerator match. Apply slight pressure on the wing nuts to hold the assembly firmly in place. Be careful not to over tighten.

Latch Assembly

STEP 6: Latch Attachment

Select:

- 2 Latches (item 8)
- 2 Latch Hooks (item 7)
- 8 #10 Bolts (silver) (item 10)
- 8 #10 Flatwashers (item 11)
- 8 #10 Lockwashers (item 12)
- 8 #10 Nuts (item 13)
- 1 Drum Assembly
- Door Assembly

A. Attach the Latches on one side of the Door opening with the hooks toward the opening using:

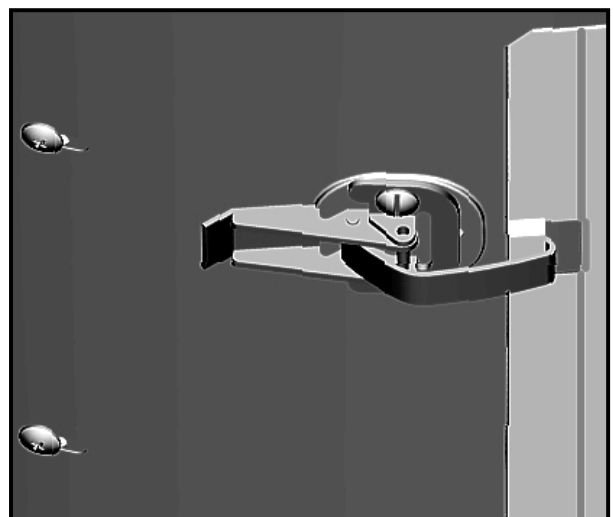
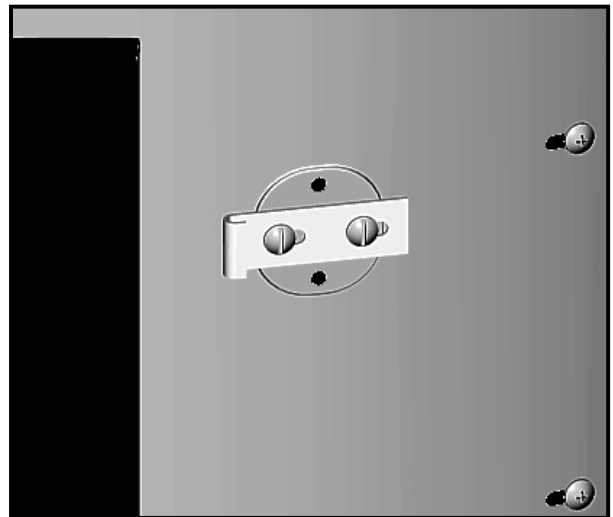
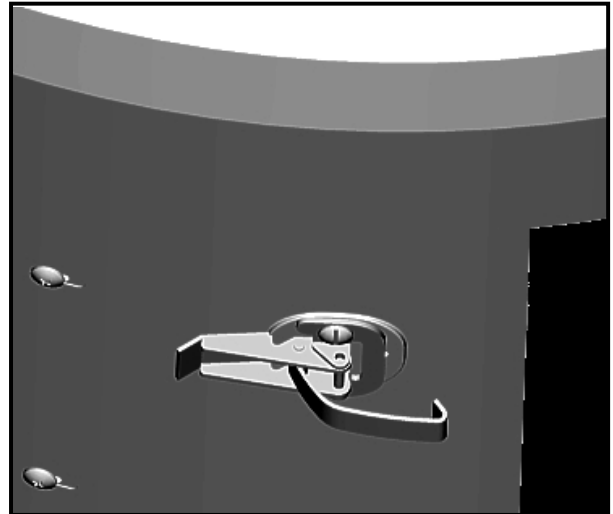
- 1 #10 Bolt (silver)
- 1 #10 Flatwasher
- 1 #10 Lockwasher
- 1 #10 Nut

on each side of both Latches. Be sure the flatwasher, lockwasher and nut are on the underside of the panel in the recess, with the Bolt on top of the Latch. Use the slotted screwdriver and 3/8" wrench to tighten all Latch mounting fasteners.

B. Position the Latch Hooks on the other side of the panel opening with the hook ends toward the opening. Secure them the same way as the latches, but make the fasteners only hand tight.

C. Position the Door Assembly in place on the panel. Fit the notches on one end of the Door into the Hooks on the panel, and the hooks of the Latches into the notches on the other side of the Door. Close the latches to check their tension; they should "snap" closed, but should not be too difficult to open. Loosen and adjust the Latch Hook fasteners to get the proper tension, then tighten them with the slotted screwdriver and 3/8" wrench.

D. Remove the Door Assembly and set it aside until you've completed the next steps.



Drive Assembly

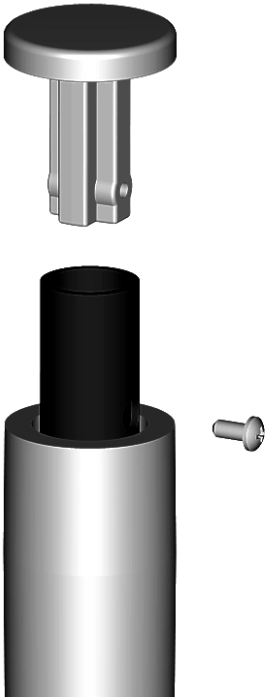
STEP 7: Drive Handle Assembly

Select:

- 1 Drive Handle (item 20)
 - 1 Grip (item 26)
 - 1 Grip Cap (item 27)
 - 1 #6 Screw (item 28)

- A. Slide the Grip onto the end of the Drive Handle.
- B. Push the stem of the Grip Cap into the end of the Drive Handle, aligning the holes.

- C. Secure the Grip Cap to the end of the Drive Handle with the #6 Screw. Tighten the Screw until just snug. Note: The head of the Screw will be in the hole of the Drive Handle, locking the Grip Cap in position.

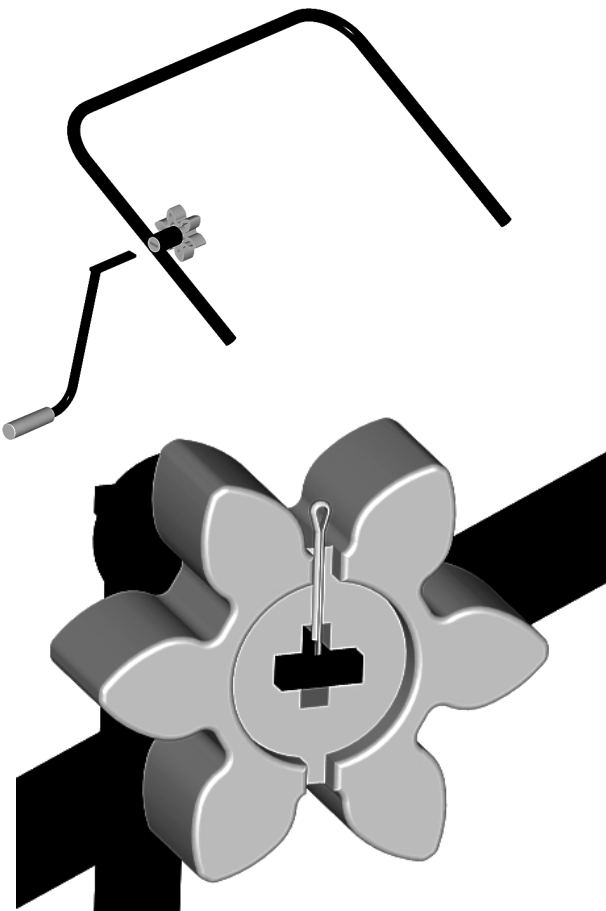


STEP 8: Gear Drive Assembly

Select

- 1 Drive Support (item 19)
 - 1 Drive Gear (item 24)
- 1 Drive Handle Assembly (from step 7)
 - 1 Cotter Pin (item 25)

- A. Push the Drive Gear through the tube in the Drive Support with the Gear on the inside of the Support.
- B. Insert the bar of the Drive Handle through the Drive Gear.
- C. Slide the Cotter Pin through the hole in the end of the Drive Handle bar.
- D. Use pliers to bend the legs of the Cotter Pin to keep it in place.



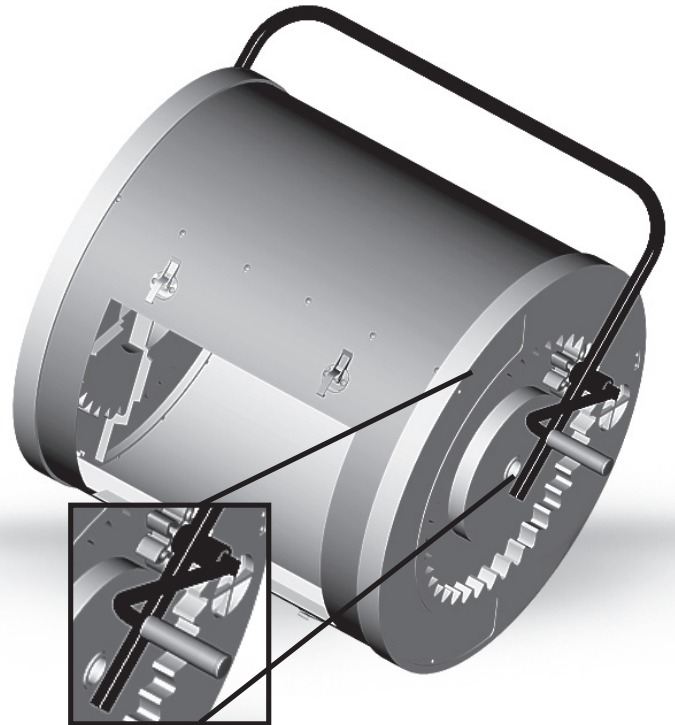
Leg Assembly

STEP 9: Gear Drive Positioning

Select:

- 1 Gear drive Assembly (from step 8)
- 1 Drum Assembly

Guide the Drive Gear into the Gear recess of one Endcap. It may be necessary to pull the ends or the Drive Support slightly apart to position it correctly.



STEP 10: Frame Leg Assembly

Select:

- 1 Drum Assembly with Gear Drive
- 2 Frame Legs (item 22)
- 2 Stub Axles (item 29)
- 2 Bolts, 3/8" x 4" (item 32)
- 2 3/8" Fender Washers (item 30)
- 2 3/8" Nuts (item 31)

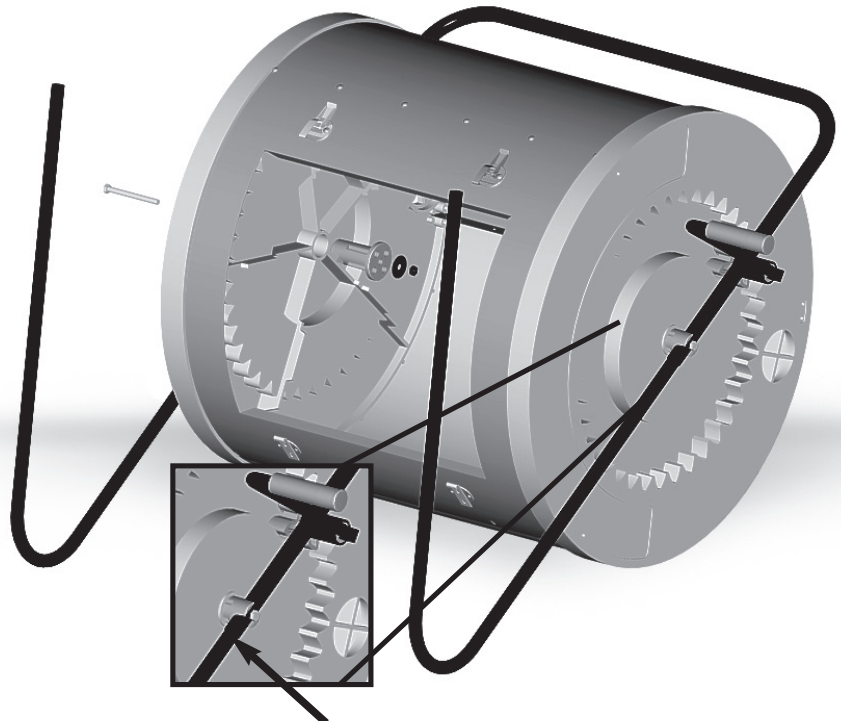
A. From inside the Drum, position a Stub Axle into the center hole of the Endcap while at the same time, adjusting the end of the Drive Support so that it fits into the channel of the Stub Axle.

B. Position a Frame Leg into the end of the Drive Support until the holes align.

C. Now push one of the 3/8" x 4" Bolts through both parts and into the center hole of the Stub Axle.

D. Working again inside the Drum, place one 3/8" Fender Washer over the end of the 3/8" x 4" Bolt, against the top flange of the Stub Axle and secure it using a 3/8" Locknut.

E. Repeat this step for the other Stub Axle and Frame Leg.



STEP 11: Struts & Braces Assembly

Select:

- 1 Drum and Frame Leg Assembly
 - 2 Struts (item 23)
 - 2 Braces (item 21)
- 6 Bolts, 1/4" x 1-1/2" (item 33)
 - 1 Bolts, 1/4" x 3/4" (item 34)
 - 7 1/4" Lockwashers (item 35)
 - 7 1/4" Nuts (item 36)

Note: The hole near the middle of a Strut is for attaching the Braces as shown. Make sure the Strut is properly positioned so you do not need to disassemble it later.

A. Position the flattened face of one Strut against the outside of the Drive Assembly and secure it with a 1/4" x 1 1/2" Bolt, 1/4" Lockwasher and 1/4" Nut. Repeat for the other Strut.

B. Push a 1/4" x 1 1/2" Bolt through the Strut and the hole near the end of a Frame Leg. Next, place the end of one Brace over the Bolt and against the inside of the Leg and secure it with a 1/4" Lockwasher and 1/4" Nut. On the opposite side, attach the other Strut and Brace similarly.

C. Attach the second Brace to the top of the first Brace using the 1/4" x 3/4" Bolt, a 1/4" Lockwasher and 1/4" Nut. Then secure the ends of the upper Brace to the insides of the Struts using 1/4" x 1 1/2" Bolts, 1/4" Lockwashers and 1/4" Nuts.



STEP 12: Positioning the Assembly

Carefully tip the unit onto its support frame. Then attach the door to the unit.

Your Compact ComposTumbler is now completely assembled and ready to use. Read your operating instructions manual, "**How to Make Superior Compost**," carefully before starting your first batch of compost.



MANTIS UK LTD, ORCHARD HOUSE, HEMPSHAW LANE,
STOCKPORT, CHESHIRE, SK1 4LH

0800 988 4828

OR CONTACT YOUR LOCAL SUPPLIER

FREEPHONE FROM UK BT LANDLINE

If you have any questions or problems with your Compact ComposTumbler assembly that aren't covered by this booklet, please call us at **0800 988 4828**. We'll be happy to help!